

Jacuzzi Signature Collection Oval in Rectangle Drop-In Whirlpool Bathtub

Letter	Description	6042		7242	
		English	Metric	English	Metric
-	Drain/Motor Location	LH / RH drain/Right or left side motor		LH / RH drain/Right or left side motor	
-	Cutout	58" x 40"		70" x 40"	
-	Total Weight	879 lbs	399 kg	982 lbs	445 kg
-	Floor Loading	50.2 lb/ft ²	804 kg/m ²	46.7 lb/ft ²	748 kg/m ²
-	Operating Gallons (Max)	66 gal	250 l	78 gal	295 l
-	Product Weight	79 lbs	36 kg	82 lbs	37 kg
-	Soaking Depth	15.5"	394 mm	15"	381 mm
L	Outer Length	60"	1524 mm	72"	1829 mm
W	Outer Width	42"	1067 mm	42"	1067 mm
H	Overall Height	21"	533 mm	21"	533 mm
A	Overflow Height	16.25"	413 mm	16.25"	413 mm
B	Long Edge to Drain Center	10.40"	214 mm	11.40"	290 mm
C	Short Edge to Drain Center	21"	533 mm	21"	533 mm
D	Drain Shoe Length	8.40"	213 mm	9.40"	239 mm
E	Deck Height	2"	51 mm	2"	51 mm
F	Deck Width	3"	76 mm	3"	76 mm
G	Service Access Dimensions	12" x 18"	305 mm x 457 mm	12" x 18"	305 mm x 457 mm
I	Floor Cutout for Drain	12" x 4"	305 mm x 102 mm	12" x 4"	305 mm x 102 mm
J	Interior Dimensions (bottom of bath) L x W	42" x 24"	1067 mm x 610 mm	52.5" x 22"	1334mm x 559mm

NOTE

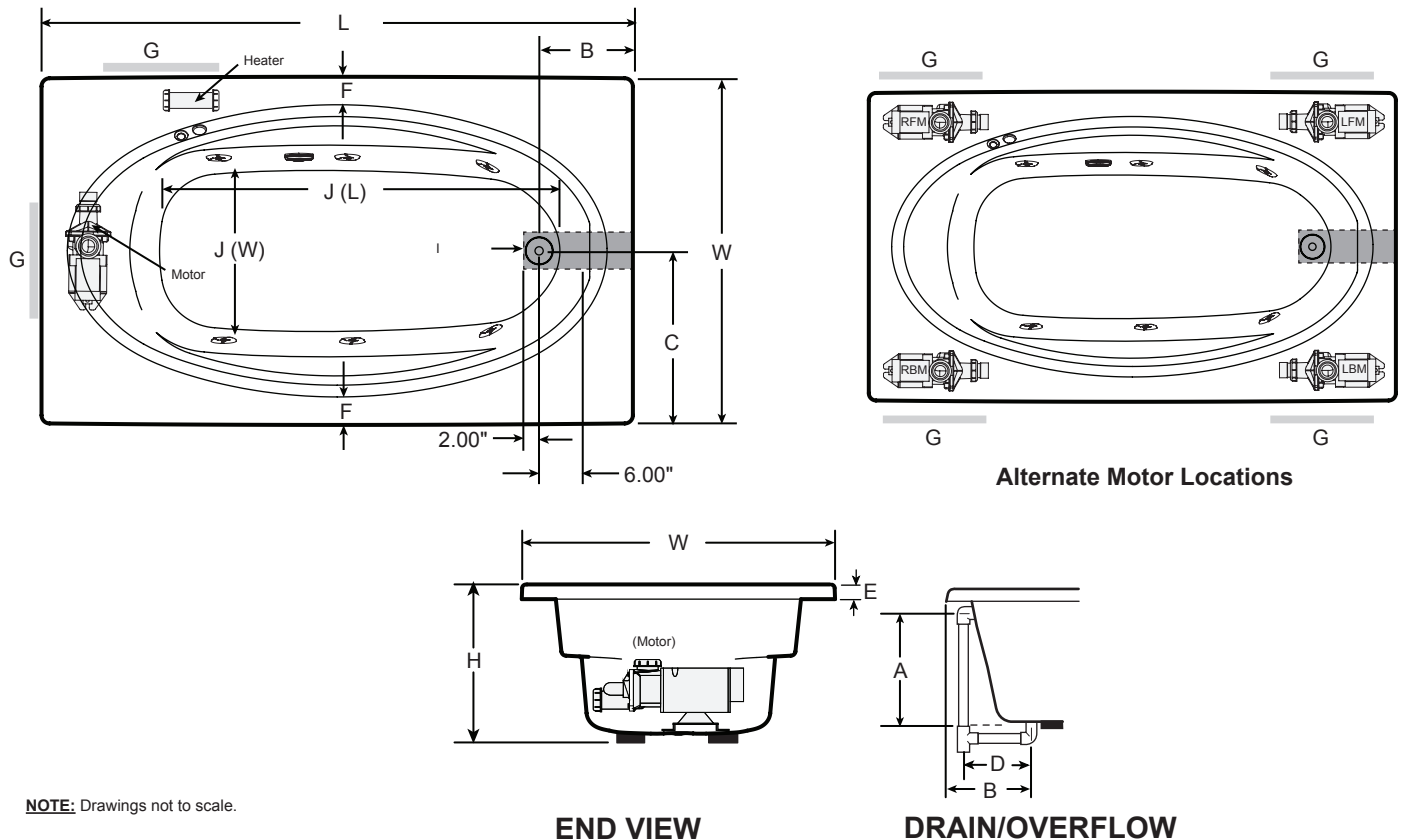
When ordering integral 3-tile flange, flange height on 3-tile flange is 1.25" (32mm) from deck.

Electrical Specifications

(Each component requires a separate, dedicated GFCI protected circuit)

Motor/Pump 120V 15A 60HZ

Heater 120V 15A 60HZ

Key Dimensions


NOTE: Drawings not to scale.